



为顾客提供全寿命服务方案

Provide lifetime solutions for our customers



**YBX3 系列高效率隔爆型
三相异步电动机**

YBX3 series flameproof

high-efficiency three-phase asynchronous motor

机座号 80~400

Frame No. 80~400

南阳防爆集团股份有限公司

Nanyang Explosion Protection Group Co., Ltd.

目 录

1. 产品概述.....	2
2. 用途.....	2
3. 型号说明.....	2
4. 执行标准.....	3
5. 基本特征.....	4
6. 技术数据.....	11
7. 结构及安装和外形尺寸.....	13
8. 订货指南.....	14

Contents

1. Product Introduction	2
2. Purpose.....	2
3. Model Description	2
4. Executive standards	3
5. Basic characteristics.....	4
6. Technical Data	11
7. Structure and Mounting & Overall Dimensions.....	13
8. Order Guide.....	14

1. 产品概述

YBX3 系列低压高效率隔爆型三相异步电动机，是我公司自行研制开发的全封闭、自扇冷、鼠笼式、高效率隔爆型三相异步电动机。具有性能优良，使用安全可靠，振动、噪声比同类产品低的特点，符合环保要求。

1. Product Overview

YBX3-series flameproof high-efficiency low-voltage three-phase asynchronous motor is a totally-closed, fan-cooled, squirrel-cage, flameproof-type, high efficiency three-phase asynchronous motor which is developed and manufactured by our company. It is characteristic with good performance, safe and reliable operation, lower vibration and noise than other similar products, and it is environmentally friendly.

2. 用途

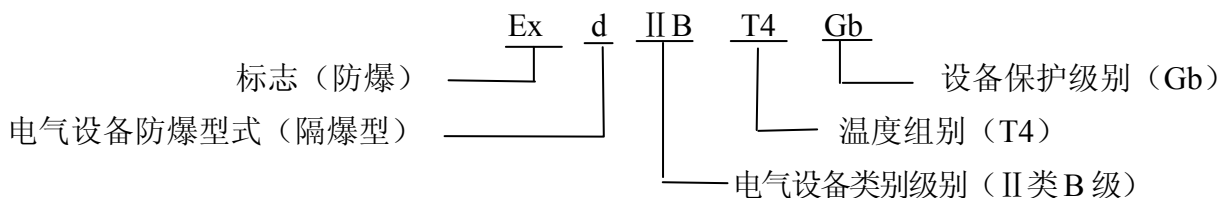
适用于石油、化工、矿业、冶金、电力、机械等行业有爆炸性气体混合物存在的场所。是理想的动力设备。

2. Application

It is an ideal power equipment and applicable in petroleum, chemical, mining, metallurgy, electric power, machinery and other industries where explosive gas mixtures may exist.

3. 型号说明

3.1 电动机防爆标志代表的意义：



3. Model Description

3.1 Meaning of ex-mark on motor

标志（防爆） Mark (explosion-proof)

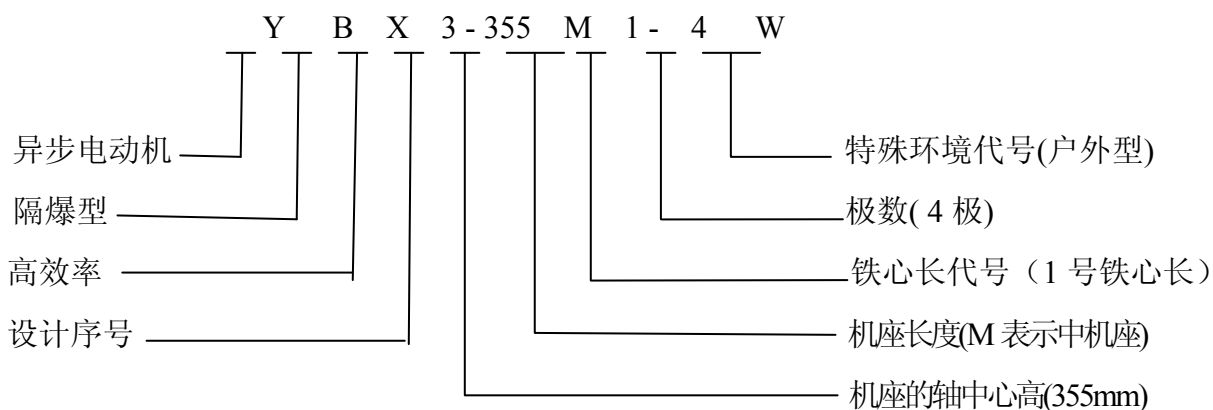
设备保护级别（Gb） Protection level for equipment (Gb)

电气设备防爆型式（隔爆型） Explosion-proof type for electrical equipment (flameproof)

温度组别（T4） Temperature group (T4)

电气设备类别级别（II类B级） Class and level of electrical equipment (class II, level B)

3.2 电动机型号代表意义示例:



3.2 Example for meaning of motor model:

异步电动机 Asynchronous motor

特殊环境代号(户外型) Special environment code(Outdoor)

隔爆型 Flameproof

极数(4极) Number of poles (4 pole)

高效率 High-efficiency

铁心长度代号(1号铁心长) Iron core length code (Length of No.1 iron core)

设计序号 Design serial No.

机座长度(M表示中机座) Frame length (M is for Central frame)

机座的轴中心高(355mm) Center height of frame axis (355mm)

4. 执行标准

4. Product standards

4.1 GB 755 旋转电机 定额和性能

GB 755 Rotating electrical machines-rating and performance

4.2 GB/T 997 旋转电机结构型式、安装型式及接线盒位置的分类(IM代号)

GB/T 997 Classification of types of construction, mounting arrangements and terminal box position of rotating electrical machines (IM code)

4.3 GB/T 1032 三相异步电动机试验方法

GB/T 1032 Test method for three-phase asynchronous motors

4.4 GB/T 1993 旋转电机冷却方法

GB/T 1993 Cooling methods for rotating electrical machines

4.5 GB 1971 旋转电机 线端标志与旋转方向

GB 1971 Rotating electrical machines-terminal markings and direction of rotation

4.6 GB/T 4772 旋转电机尺寸和输出功率等级

GB/T 4772 Dimension of rotating motor and grade of output power

4.7 GB/T 4942.1 旋转电机整体结构的外壳防护等级 (IP 代号) 分级

GB/T 4942.1 Degrees of protection provided by the integral design of rotating electrical machines (IP code) - Classification

4.8 GB 10068 中心高为 56mm 及以上电机的机械振动 振动的测量及限值

GB 10068 Mechanical vibration of certain machines with shaft heights 56mm and higher--Measurement, limits of vibration severity

4.9 GB/T 10069.1 旋转电机噪声测定方法及限值第 1 部分: 旋转电机噪声测定方法

GB/T 10069.1 Measurement of airborne noise emitted by rotating electrical machinery and the noise limits Part 1: Rotating Electrical Machinery- method for the measurement of airborne noise

4.10 GB/T 10069.3 旋转电机噪声测定方法及限值第 3 部分: 噪声限值

GB/T 10069.3 Measurement of airborne noise emitted by rotating electrical machinery and the noise limits Part 3: Limiting value

4.11 GB 14711 中小型旋转电机安全要求

GB 14711 The safety requirements of minimum rotating motor

4.12 GB 3836.1 爆炸性环境 第 1 部分: 设备 通用要求

GB 3836.1 Explosive atmospheres-Part 1: Equipment-general requirements

4.13 GB 3836.2 爆炸性环境 第 2 部分: 由隔爆外壳“d” 保护的 设备

GB 3836.2 Explosive atmospheres-Part 2: Equipment protection by flameproof enclosure “d”

4.14 GB 3836.3 爆炸性环境 第 3 部分: 由增安型“e”保护的 设备

GB 3836.3 Explosive atmospheres-Part 3: Equipment protection by increased safety “e”

4.15 GB 50058 爆炸和火灾危险环境电力装置设计规范

GB 50058 Electrical installations design code for explosive atmospheres and fire hazard

5. 基本特征

5.1 机座号: 80~400。

5.2 额定功率范围: 0.75~630KW

5.3 极数: 2~16 极

5.4 额定电压: 380、660、380/660、400、690、400/690V。(注: 基本系列 3kW 及以下电压 380V 为 Y 接, 3kW 及以上电压 380V 为 Δ 接; 也可按特殊电压制造)

5.5 额定频率: 50Hz 或 60Hz

5.6 绝缘等级: 155 (F)

5.7 效率: 2 级。符合 GB18613-2012 《中小型三相异步电动机能效限定值及能效等级》

能效 2 级。

5.8 冷却方式: IC411

5.9 安装方式: IMB3(也可制造其它安装方式)。

5.10 防护等级: IP55

5.11 运行方式: S1

5.12 防爆标志: Ex d II B T4 Gb, Ex d II C T4 Gb。

5.13 标准配置:户内。

可选配置: 户外 (W)、户外防中等腐蚀 (WF1)、户外防强腐蚀 (WF2)、户内防中等腐蚀 (F1)、户内防强腐蚀 (F2)、湿热带 (TH)、干热带 (TA)、户外湿热带 (THW)、户外干热带 (TAW)。

5.14 主接线盒

机座号 80-355 主接线盒位于电机顶部 (从电机轴伸端看), 出线口可四个方向调整, 但接线盒出线口朝后 (朝非轴伸端) 时, 由于吊环的影响, 需在安装现场, 将电机吊装到位后, 取下吊环, 打开接线盒盖, 松开接线盒与机座联接螺栓, 将接线盒出线口朝后调装。

机座号 400 主接线盒位于右上侧朝下 (从电机轴伸端看)

接线盒进线标准配置: 喇叭口进线。

可选配置: 螺纹口钢管布线或防爆葛兰头进线。

喇叭口和带螺纹口钢管布线接线盒进线口属性见表 1。葛兰头进线口属性见表 2。

5. Essential Characteristics

5.1 Frame number: 80~400

5.2 Rated power range: 0.75~630KW

5.3 Number of poles: 2~16 poles

5.4 Rated voltage: 380, 660, 380 / 660, 400, 690, 400 / 690V. (Note: Y-connection for 380V voltage of basic series of 3kW and below, Δ -connection for 380V voltage of 3kW and above; it can also be manufactured based on special voltage)

5.5 Rated frequency: 50Hz or 60Hz

5.6 Insulation class: 155 (F)

5.7 Efficiency: grade 2. Conform with the energy efficiency grade 2 as specified in GB18613-2012 "The Minimum Allowable Values of Energy Efficiency and the Energy Efficiency Grades for Small and Medium Three-phase Asynchronous Motors".

5.8 Cooling method: IC411

5.9 Installation method: IMB3 (other installation methods are allowable).

5.10 Level of protection: IP55

5.11 Mode of operation: S1

5.12 Ex mark: Ex d II B T4 Gb, Ex d II C T4 Gb

5.13 Standard configuration: Indoor

Optional configuration: outdoor (W), outdoor moderate corrosion prevention (WF1), outdoor strong corrosion prevention (WF2), indoor moderate corrosion prevention (F1), indoor strong corrosion prevention (F2), humid tropics (TH), dry tropics (TA), outdoor humid tropics (THW), outdoor dry tropics (TAW).

5.14 Main junction box

Main junction box of frame No. 80-355 is at the top of motor (if seen from the drive end of motor), outlet can be adjusted in four directions, but field installation is required because of the rings when the junction box outlet goes backwards (towards the non-drive end). After the motor is lifted appropriately, remove the rings, open the junction box cover, loosen the attachment bolts between junction box and frame, install and adjust the junction box outlet backwards.

The main junction box with a frame size of 400 is downward and located on the upper right side (if seen from the drive end of motor)

Standard configuration for conduit of junction box: bell-mouth conduit.

Optional configuration: thread-mouth conduit entry or flameproof gland conduit.

See Table 1 for attribute of junction box inlet with bell-mouth and thread-mouth conduit entry. See Table 2 for attribute of gland inlet

表1：喇叭口和带螺纹口钢管布线接线盒进线口属性表

Table 1: Table of inlet properties of the junction box with bell-mouth and thread-mouth conduit entry

接线盒规格 Junction box specification	适用机座号 Applicable frame size	进线口数 Number of inlet	进线电缆最大 外径 Maximum outer diameter of incoming cable	螺纹口钢管布线进线口螺纹 Thread of thread-mouth conduit entry inlet	供货范围 Scope of supply
M5	80~112	单 Singular	Φ25	M30×2	标准配置 Standard
M6	132~180	单 Singular	Φ35	M36×2	标准配置 Standard
M6	132~180	双 Double	Φ35	M36×2	可选配置 Optional
M8	200~225	单 Singular	Φ42	M48×2	标准配置 Standard
M8	200~225	双 Double	Φ42	M48×2	可选配置 Optional
M10	250~280	单 Singular	Φ50	M64×2	标准配置 Standard
M10	250~280	双 Double	Φ42	M48×2	可选配置 Optional
M16	315	双 Double	Φ50	M64×2	标准配置 Standard
M16	355	双 Double	Φ65	M72×2	标准配置 Standard
M24	400 (2-8P)	双 Double	Φ80	M85×3	标准配置 Standard

注：对于 ExdIICT4 电机，由于 M5、M6、M8 接线盒受空间限制只能按单口接线盒制造。

Note: for ExdIICT4 motor. Only single-ported junction box is applicable for the manufacturing as a result of space limitation on M5, M6, M8 junction boxes.

表2：葛兰头进线口属性表

Table 2: Table of inlet properties of gland inlet

机座号 Frame size	材质 Material	出线口数 Number of inlet	电缆型式 Cable type	铠装电缆(可选配置) Armored cable (optional configuration)		无铠电缆(标准配置) Unarmored cable (standard configuration)
			螺纹规格 Thread specification	内护套外径 Outer diameter of inner sheath	外护套外径 Outer diameter of outer sheath	电缆外径 Outer diameter of cable
—	黄铜镀镍 Nickel-plated bras		M20X1.5	φ11.0~φ14.3	φ12.5~φ20.5	φ5~φ14
80~132		1	M25X1.5	φ13~φ20.2	φ16.9~φ26	φ6~φ16
—			M32X1.5	φ19.0~φ26.5	φ22.0~φ33.0	φ10~φ22
160~180		1	M40X1.5	φ25.0~φ32.5	φ28.0~φ41.0	φ15~φ28
200~225		1	M50X1.5	φ31.5~φ44.4	φ36.0~φ52.6	φ23~φ36
250~280		1	M63X1.5	φ42.5~φ56.3	φ46.0~φ65.3	φ35~φ48
315~400		2	M63X1.5	φ42.5~φ56.3	φ46.0~φ65.3	φ35~φ48
—			M75X1.5	φ54.5~φ68.2	φ57.0~φ78.0	—

4.15 辅助接线盒

4.15 Auxiliary junction box

辅助接线盒指测温和加热带接线盒。部分机座号辅助接线盒与主接线盒共用一个腔体，但有单独的进线口。测温辅助接线盒进线口属性见表 3。加热辅助接线盒进线口属性见表 4。

Auxiliary junction box refers to the junction box for temperature measurement and heater band, which, to some frame No., shares a cavity with the main junction box but owns separate inlet. See Table 3 for attribute of temperature measurement auxiliary junction box inlet. See Table 4 for attribute of heating auxiliary junction box inlet.

进线口准标配置：喇叭口进线。

Standard configuration for inlet: bell-mouth conduit.

进线口可选配置：带螺纹口钢管布线或防爆葛兰头。

Optional configuration for inlet: thread-mouth conduit entry or flameproof gland.

4.16 机座号 160~225 可根据用户需求设置 PTC 测温或加热带（选配其中之一），机座号 250-355 根据用户需要可设置定子轴承测温装置及加热带（选配），H400 带测温装置和加热带（标准配置）。加热装置特征见表 3，测温装置特征见表 4。还可设置防爆呼吸排水阀（选配）。

4.16 Frame No. 160~225 can be provided with PTC temperature measurement or heater band (alternative optional configuration) according to users' demands, frame No. 250~355 can be provided with stator and bearing temperature measuring device and heater band (optional configuration) according to users' demands while frame No. above H400 are provided with temperature measuring device and heater band (standard configuration). See Table 3 for the characteristics of heating device and Table 4 for those of temperature measuring device. In addition, explosion-proof breathing drain valve is allowed to be installed (optional configuration).

表 3:加热辅助接线盒进线口属性表

Table 3: Table of inlet properties of heating auxiliary junction box

机座号 Frame No.	电压(V) Voltage (V)	功率(W) Power (W)	进线位置 Conduit position	进口尺寸（标准配置） Inlet dimension (standard configuration)	进口尺寸（钢布） Inlet dimension (conduit entry)
160~180	220	40	由主接线盒引入 Introduced by main junction box	φ20/φ16/φ12/φ6	M20X1.5
200~225	220	60	由主接线盒引入 Introduced by main junction box	φ20/φ16/φ12/φ6	M20X1.5
250~280	220	75	由主接线盒引入 Introduced by main junction box	φ20/φ16/φ12/φ6	M20X1.5
315	220	150	由主接线盒引入 Introduced by main junction box	φ20/φ16/φ12/φ6	M20X1.5
355	220	200	由主接线盒引入 Introduced by main junction box	φ20/φ16/φ12/φ6	M20X1.5
400	220	200	由独立接线盒引入 Introduced by separate junction box	φ20/φ16/φ12/φ6	M20X1.5

表 4 测温辅助接线盒进线口属性表

Table 4 Table of inlet properties of temperature measuring auxiliary junction box

机座号 Frame No.	测温方式 Temperature measurement method	测温元件 Temperature measurement element	数量 Quantity	进线位置 Conduit position	进口尺寸（标准配置） Inlet dimension (standard configuration)	进口尺寸（钢布） Inlet dimension (conduit entry)
160~225	定子测温 Stator temperature measurement	热敏电阻 PTC Thermistor PTC	1	由主接线盒引 入 Introduced by main junction box	φ20/φ16/φ12/φ6	M20X1.5
250~400	定子测温 Stator temperature measurement	铂热电阻 PT100 Platinum thermistor PT100	6	独立接线盒 Separate junction box	φ20/φ16/φ12/φ6	M20X1.5
	轴承测温 Bearing temperature measurement	铂热电阻 PT100 Platinum thermistor PT100	前后 各 1 1 each for front and back	独立接线盒 Separate junction box	φ20/φ16/φ12/φ6	M20X1.5

4.17 环境条件:

环境空气温度: -15~+40℃。

海拔: 不超过 1000m。

4.17 Environmental conditions:

Ambient air temperature: -15~+40℃.

Altitude: Not exceeding 1000m.

4.18. 轴承和润滑脂

常规电机轴承牌号及润滑时间见表 5, 润滑脂常规为: 3#通用锂基润滑脂。

4.18 Bearing and lubricating grease

See Table 5 for details about motor bearing symbol and lubrication time. The lubricating grease usually used is: 3# general-purpose lithium base grease.

表 5: 轴承牌号及润滑时间

Table 5: Regular motor bearing symbol and lubrication time

机座号 Frame No.	极数 Number of poles	轴承牌号 Bearing symbol	轴承牌号 Bearing symbol	注油量 (g) (Oil injection flow) (g)	注油周期 (Oil injection cycle)
		(轴伸端) (Drive end)	(非轴伸端) (Non-drive end)		轴伸端(h) (drive end) (h)
80	2~8	62042Z	62042Z	-	-
90	2~8	62052Z	62052Z	-	-
100	2~8	62062Z	62062Z	-	-
112	2~8	62062Z	62062Z	-	-
132	2~8	62082Z	62082Z	-	-
160	2	6309	6309	15	4190
	4				7740
	6~8				8760
180	2	6310	6310	15	3800
	4				7340
	6~8				8760
200	2	6312	6312	20	3040
	4				6630
	6				8320
	8				8760
225	2	6313	6313	20	2700
	4				6280
	6				8000
	8				8760
250	2	6314	6314	30	2380
	4				5940
	6				7680
	8~12				8760
280	2	6314	6314	30	2380
	4				5030
	6	6317	6317	40	6920
	8				8120
	10~12				8760
315	2	6316	6316	30	1860
	4				4390
	6	6319	6319	45	6470
	8				7650
	10~16				8350
355	2	6318	6318	40	1450
	4				3400
	6	6322	6322	60	5780
	8				6950
	10~16				7540

400	2	6220/C3	NU216	30/20	1450/1800
	4	6224	NU218	45/25	3680/4100
	6				5900/6300
	8				7160/6800
	10~16				8102/7750
<p>注：对于 60Hz，注油周期需要乘以 0.8；对于 V5 以及 V1 安装，注油周期除以 2；如果工作温度高于 70℃,温度每升高 15℃，注油周期减半。</p> <p>Note: For 60Hz, the oil injection cycle is required to be multiplied by 0.8; for V5 and V1 installation, the oil injection cycle is required to be divided by 2; in case of the operating temperature exceeding 70℃, the oil injection cycle shall be reduce by half for each 15℃ increase in temperature.</p>					

6. 技术数据

6.1 机座号与功率及转速对应关系见表 6。

6.2 振动限值见表 7。

6.3 电动机电气性能参数见表 10。

6. Technical data

6.1 See Table 6 for the correspondence between frame No. and power & speed.

6.2 See Table 7 for the vibration limit.

6.3 See Table 10 for the electric performance parameters of motor.

表 6：机座号与功率及转速对应关系

Table 6: Correspondence between frame No. and power & speed

机座号 Frame No.	同步转速 r/min Synchronous speed r/min							
	3000	1500	1000	750	600	500	429	375
	功率 Power kW							
80M1	0.75	0.55	0.37	0.18				
80M2	1.1	0.75	0.55	0.25				
90S	1.5	1.1	0.75	0.37				
90L	2.2	1.5	1.1	0.55				
100L1	3	2.2	1.5	0.75				
100L2		3		1.1				
112M	4	4	2.2	1.5				
132S1	5.5	5.5	3	2.2				
132S2	7.5							
132M1	—	7.5	4	3				
132M2			5.5					
160M1	11	11	7.5	4				
160M2	15			5.5				
160L	18.5	15	11	7.5				
180M	22	18.5	—	—				
180L	—	22	15	11				
200L1	30	30	18.5	15				
200L2	37		22					
225S	—	37	—	18.5				

225M	45	45	30	22				
250M	55	55	37	30	22	18.5		
280S	75	75	45	37	30	22	18.5	
280M	90	90	55	45	37	30	22	
315S	110	110	75	55	45	37	30	22
315M	132	132	90	75	55	45	37	30
315L1	160	160	110	90	75	55	45	37
315L	(185)	(185)	—	—	—	—	—	—
315L2	200	200	132	110	90	(75)	55	45
355S1	(185)	(185)	160	132	(90)	75	75	55
355S2	(200)	(200)						
355M1	(220)	(220)	(185)	160	110	90	90	75
355M2	250	250	(200)		132	110	110	90
355L1	(280)	(280)	(220)	(185)	160	132	132	110
355L2	315	315	250	(200)	(185)	160		
400 1	355	355	280	(220) 250	—	—	—	—
400 2	400	400	315	280	—	—	—	—
400 3	450	450	355	315	—	—	—	—
400 4	500	500	400	355	—	—	—	—
400 5	560	560	450	400	—	—	—	—
400 6	630	630	500	(450)	—	—	—	—

注 1：带括号的为不优先推荐规格。

注 2：S、M、L 后面的数字 1、2 分别代表同一机座号和转速下不同的功率。

Note: 1. The bracketed specifications are not strongly recommended.

2. The figures 1 and 2 after S, M and L respectively stand for different power under the same frame No. and speed.

表 7：振动限值

Table 7: Vibration limit

轴中心高 (mm) Center height of shaft (mm)	80≤H≤132			132<H≤280			H>280		
	位移 Displacement (μm)	速度 Velocity (mm/s)	加速度 Acceleration (m/s ²)	位移 Displacement (μm)	速度 Velocity (mm/s)	加速度 Acceleration (m/s ²)	位移 Displacement (μm)	速度 Velocity (mm/s)	加速度 Acceleration (m/s ²)
自由悬置 Free suspension	25	1.6	2.5	35	2.2	3.5	45	2.8	4.4
刚性安装 Rigid installation	21	1.3	2.0	29	1.8	2.8	37	2.3	3.6

注:1. 表 7 中规定的限值均为 A 级参数;

2. 位移与速度, 速度与加速度的接口频率分别为 10Hz 和 250Hz。

Note: 1. The limits specified in the Table 7 are Grade-A parameters;

2. The interface frequency of displacement & velocity and velocity & acceleration is 10Hz and 250Hz respectively.

7. 结构及安装和外形尺寸

7. Structure and Mounting & Overall Dimensions

7.1 安装方式有 5 种基本结构型式。可派生 15 种常用结构及安装型式, 其制造范围见表 8。

7.1 For this series of motor, 15 common types of construction and mounting arrangements can be derived from the 5 basic structures as stated above, with its production range as shown in Table 8.

表 8: 安装方式制造范围表

Table 8: Production range table of mounting arrangements

机座号 Frame No.	结构及安装型式代号 (IM) Symbols of Construction and Mounting Arrangements (IM)
80~112	B3、B5、B6、B7、B8、B14、B34、B35、V1、V3、V5、V6、V15、V18、
132~160	B3、B5、B6、B7、B8、B35、V1、V3、V5、V6、V15、V35
180~280	B3、B5、B35、V1
315~355	B3、B35、V1
400~450	B3、B35、V1

7.2 结构及安装型式示意图见表 9。

See Table 9 for the schematic diagram of construction and mounting arrangements.

表 9: 结构及安装型式示意图

Table 9 Schematic diagram of construction and mounting arrangements

结构及安装型式	B3	B5	B6	B7	B8
示意图					
结构及安装型式	B14	B34	B35	V1	V3
示意图					
结构及安装型式	V5	V6	V15	V18	V35
示意图					

结构及安装型式 Type of construction and mounting arrangements
示意图 Schematic diagram
结构及安装型式 Type of construction and mounting arrangements
示意图 Schematic diagram
结构及安装型式 Type of construction and mounting arrangements
示意图 Schematic diagram

B3—机座带底脚、端盖无凸缘；

B5—机座不带底脚、端盖有凸缘；

B35—机座带底脚、端盖有凸缘；

B14—机座不带底脚、端盖有小凸缘；

B34—机座带底脚、端盖有小凸缘。

B3— frame with bottom studs, end cover without flange;

B5— frame without bottom studs, end cover with flange;

B35— frame with bottom studs, end cover with flange;

B14— frame without bottom studs, end cover with small flange;

B34— frame with bottom studs, end cover with small flange;

7.3 See table 11 for mounting & overall dimensions of motor, see diagram for Frame No. 400.

7.2 电动机安装外形尺寸见表 11，机座号 400 见外形图。

8. 订货指南

8.1.电机选用考虑以下因素

- 防爆等级：Ex d II B T4 Gb、Ex d II C T4 Gb 等。
- 电压：380V、660V 等。
- 频率：50Hz、60Hz 等。
- 安装型式：IMB3、IMB35 等。
- 使用环境：户内、户外、环境温度、海拔高度等。
- 防护等级：IP55。
- 被驱动设备的机械特性及转动惯量。
- 电动机与被驱动设备的连接方式。
- 启动方式、启动频次以及启动电压降等。

- 工作制：S1 或其它。
- 热分级：155 (F) 级或其它。
- 电动机旋转方向：顺时针、逆时针、双向。
- 接线盒位置：顶左、顶右、右上侧朝下、左上侧朝下。
- 接线盒进线口形式：喇叭口、螺纹口钢管布线、葛兰头。
- 环境温度及海拔高度等。

8.2. 举例

需求：机座中心高为 355、220kW, 2P 机座带底脚，端盖无凸缘，工厂用 IIB 类 T4 组隔爆型，380/660V，顺时针转向，喇叭口进线。电动机标注如下：

转化合同为：YBX3-355M1-2 220kW 380/660V 50Hz IMB3 ExdIIBT4Gb 喇叭口进线。

8.3. 如有特殊要求，如电压、频率、防护等级、旋转方向、安装型式、双轴伸、噪声、振动限值及防爆标志、接线盒进线方式等必须签订技术协议后，方可制造。

8.4. 本样本中的数据随着技术进步允许有变动，不另行通知，请注意样本的版号。

8. Order Guide

8.1 The following factors shall be taken into consideration in motor selection:

- Explosive-proof grade: Ex d II B T4 Gb、Ex d II C T4 Gb, etc.
- Voltage: 380V, 660V, etc.
- Frequency: 50Hz、60Hz, etc.
- Installation type: IMB3, IMB35, etc.
- Service environment: Indoor, outdoor, ambient temperature, above sea level, etc.
- Protection grade: IP55.
- Mechanical properties and rotational inertia of the driven equipment.
- Mode of connection between motor and driven equipment.
- Starting mode, starting frequency and starting voltage drop, etc.
- Working system: S1 or others.
- Thermal classification: 155 (F) or others.
- Direction of motor rotation: Clockwise, anticlockwise, bi-direction.
- Position of junction box: Top left, top right, upper right with face down, upper left with face down.
- Inlet form of junction box: bell mouth, thread-mouth conduit entry, gland.
- Ambient temperature and altitude, etc.

8.2 Example

Demand: The motor having: frame center height of 355, 220kW, 2P frame with bottom studs, end cover without flange, factory IIB-class T4 flameproof type, 380/660V, clockwise rotation, bell-mouth conduit entry. And the motor is marked as follows:

Translated into contract as: YBX3-355M1-2 220kW 380/660V 50Hz IMB3 ExdIIBT4Gb bell-mouth conduit entry.

8.3 If there is any special requirements for voltage, frequency, protection grade, direction of rotation, installation type, biaxial extension, noise, vibration limit, explosion-proof mark, incoming mode of junction box or other aspects, the contract signing and manufacturing shall not be conducted until the Technical Agreement has been signed.

8.4 Changes of the data in this sample are allowed to be made without prior notice as technical progresses; please note the date of sample publication.

表 10: 电动机电气性能参数 Electrical performance parameter of motor

型号 Type	功率 kW	额定转速 r/min	效率 EFFI %		功率因数 PF COS φ	电流 (380V)A		转矩			噪声 noise dB(A) Lw/Lp	转动惯量 inertia kg.m ²	重量 weight kg
			100% 负载 LOAD	75% 负载 LOAD		额定电流 I _N (A)	堵转电流 I _{st}	额定转矩 T _N (Nm)	堵转转矩 T _{st}	最大转矩 T _{max}			
同步转速 3000r/min													
YBX3-80M1-2	0.75	2825	80.7	80.7	0.83	1.70	6.8	2.54	2.3	2.3	64/56	0.005	43
YBX3-80M2-2	1.1	2825	82.7	82.7	0.83	2.43	7.3	3.72	2.3	2.3	64/56	0.007	46
YBX3-90S-2	1.5	2840	84.2	84.2	0.84	3.22	7.6	5.04	2.3	2.3	72/64	0.009	52
YBX3-90L-2	2.2	2840	85.9	85.9	0.85	4.58	7.8	7.40	2.3	2.3	72/64	0.017	55
YBX3-100L-2	3	2880	87.1	87.1	0.87	6.02	8.1	9.95	2.3	2.3	76/68	0.03	71
YBX3-112M-2	4	2890	88.1	88.1	0.87	7.93	8.3	13.22	2.2	2.3	77/69	0.063	98
YBX3-132S1-2	5.5	2900	89.2	89.2	0.88	10.65	8.0	18.11	2.2	2.3	80/72	0.073	119
YBX3-132S2-2	7.5	2900	90.1	90.1	0.88	14.37	7.8	24.70	2.2	2.3	80/72	0.21	125
YBX3-160M1-2	11	2930	91.2	91.2	0.88	20.82	7.9	35.85	2.2	2.3	82/74	0.25	170
YBX3-160M2-2	15	2930	91.9	91.9	0.88	28.18	8.0	48.89	2.2	2.3	82/74	0.31	175
YBX3-160L-2	18.5	2930	92.4	92.4	0.88	34.57	8.1	60.30	2.2	2.3	82/74	0.37	185
YBX3-180M-2	22	2940	92.7	92.7	0.89	40.52	8.2	71.46	2.2	2.3	85/77	0.63	270
YBX3-200L1-2	30	2950	93.3	93.3	0.89	54.89	7.5	97.12	2.2	2.3	87/79	0.73	320
YBX3-200L2-2	37	2950	93.7	93.7	0.89	67.41	7.5	119.78	2.2	2.3	87/79	1.28	340
YBX3-225M-2	45	2970	94	94	0.89	81.73	7.6	144.70	2.2	2.3	89/82	1.55	420
YBX3-250M-2	55	2970	94.3	94.3	0.89	99.57	7.6	176.85	2.2	2.3	89/82	1.89	540
YBX3-280S-2	75	2970	94.7	94.7	0.89	135.20	6.9	241.16	2.0	2.3	91/83	2.02	640
YBX3-280M-2	90	2970	95	95	0.89	161.73	7.0	289.39	2.0	2.3	91/83	2.26	720
YBX3-315S-2	110	2980	95.2	95.2	0.89	197.26	7.1	352.52	2.0	2.2	95/85	2.42	1265
YBX3-315M-2	132	2980	95.4	95.4	0.89	236.21	7.1	423.02	2.0	2.2	95/85	2.726	1334
YBX3-315L1-2	160	2980	95.6	95.6	0.89	285.72	7.1	512.75	2.0	2.2	95/85	3.22	1553
YBX3-315L-2	185	2980	95.7	95.7	0.9	326.35	7.1	592.87	2.0	2.2	95/85	3.41	1725
YBX3-315L2-2	200	2980	95.8	95.8	0.9	352.44	7.1	640.94	2.0	2.2	95/85	3.86	1840
YBX3-355S1-2	185	2980	95.8	95.8	0.9	326.01	7.1	592.87	2.0	2.2	98/88	4.82	1944
YBX3-355S2-2	200	2980	95.8	95.8	0.9	352.44	7.1	640.94	2.0	2.2	98/88	5.46	1944
YBX3-355M1-2	220	2980	95.8	95.8	0.9	387.69	7.1	705.03	2.0	2.2	98/88	6.22	2116
YBX3-355M2-2	250	2980	95.8	95.8	0.9	440.56	7.1	801.17	2.0	2.2	98/88	6.54	2415
YBX3-355L1-2	280	2980	95.8	95.8	0.9	493.42	7.1	897.32	2.0	2.2	98/88	6.95	2599
YBX3-355L2-2	315	2980	95.8	95.8	0.9	555.10	7.1	1009.4	2.0	2.2	98/88	7.06	3260
YBX3-4001-2	355	2980	95.8	95.8	0.9	625.59	7.1	1137.6	1.1	2.2	105/95	6.8	3370
YBX3-4002-2	400	2980	95.8	95.8	0.9	704.89	7.1	1281.8	1.1	2.2	105/95	8.2	3450
YBX3-4003-2	450	2980	95.8	95.8	0.9	793.00	7.1	1442.1	1.1	2.2	105/95	9.3	3540
YBX3-4004-2	500	2980	95.8	95.8	0.9	881.11	7.1	1602.3	1.1	2.2	105/95	10.3	3620
YBX3-4005-2	560	2980	95.8	95.8	0.9	986.84	7.1	1794.6	1.1	2.2	105/95	12.5	3690
YBX3-4006-2	630	2980	95.8	95.8	0.9	1110.2	7.1	2019.0	1.1	2.2	105/95	14.3	3800

型号	功率 kW	额定 转速 r/min	效率 %		功率 因数 COS φ	电流 (380V)A		转矩			噪声 dB (A) Lw/LP	转动 惯量 kg·m ²	重量 kg 100% 负载
			100% 负载	75% 负载		额定电 流 I _N (A)	堵转 电流 额定 电流	额定转 矩 T _N (Nm)	堵转 转矩	最大 转矩			
									额定 转矩	额定 转矩			
同步转速 1500r/min													
YBX3-80M1-4	0.55	1390	76.5	76.5	0.75	1.46	6.3	3.78	2.3	2.3	58/50	0.007	43
YBX3-80M2-4	0.75	1390	82.5	82.5	0.75	1.84	6.5	5.15	2.3	2.3	58/50	0.012	46
YBX3-90S-4	1.1	1400	84.1	84.1	0.75	2.65	6.6	7.50	2.3	2.3	61/53	0.015	51
YBX3-90L-4	1.5	1400	85.3	85.3	0.75	3.56	6.9	10.23	2.3	2.3	61/53	0.031	55
YBX3-100L1-4	2.2	1420	86.7	86.7	0.81	4.76	7.5	14.80	2.3	2.3	64/56	0.039	71
YBX3-100L2-4	3	1420	87.7	87.7	0.82	6.34	7.6	20.18	2.3	2.3	64/56	0.059	98
YBX3-112M-4	4	1440	88.6	88.6	0.82	8.37	7.7	26.53	2.3	2.3	65/57	0.113	115
YBX3-132S-4	5.5	1440	89.6	89.6	0.82	11.37	7.5	36.48	2.0	2.3	71/63	0.167	125
YBX3-132M-4	7.5	1440	90.4	90.4	0.83	15.19	7.4	49.74	2.0	2.3	71/63	0.36	127
YBX3-160M-4	11	1460	91.4	91.4	0.85	21.51	7.5	71.95	2.2	2.3	74/66	0.42	189
YBX3-160L-4	15	1460	92.1	92.1	0.85	29.11	7.5	98.12	2.2	2.3	74/66	0.68	212
YBX3-180M-4	18.5	1470	92.6	92.6	0.86	35.30	7.7	120.19	2.2	2.3	76/68	0.072	260
YBX3-180L-4	22	1470	93	93	0.86	41.79	7.8	142.93	2.2	2.3	76/68	0.81	290
YBX3-200L-4	30	1470	93.6	93.6	0.86	56.63	7.2	194.90	2.2	2.3	79/71	1.21	340
YBX3-225S-4	37	1480	93.9	93.9	0.86	69.62	7.3	238.75	2.2	2.3	81/73	1.85	380
YBX3-225M-4	45	1480	94.2	94.2	0.86	84.40	7.4	290.37	2.2	2.3	81/73	2.32	420
YBX3-250M-4	55	1480	94.6	94.6	0.86	102.72	7.4	354.90	2.2	2.3	82/74	2.86	580
YBX3-280S-4	75	1480	95	95	0.87	137.88	6.7	483.95	2.0	2.3	85/77	3.34	660
YBX3-280M-4	90	1485	95.2	95.2	0.87	165.10	6.9	578.79	2.0	2.3	85/77	4.68	710
YBX3-315S-4	110	1485	95.4	95.4	0.87	201.37	6.9	707.41	2.0	2.2	91/79	4.96	1323
YBX3-315M-4	132	1485	95.6	95.6	0.88	238.40	6.9	848.89	2.0	2.2	91/79	5.22	1380
YBX3-315L1-4	160	1485	95.8	95.8	0.88	288.36	6.9	1028.96	2.0	2.2	91/79	5.43	1518
YBX3-315L-4	185	1485	95.9	95.9	0.89	329.33	6.9	1189.73	2.0	2.2	91/79	5.62	1633
YBX3-315L2-4	200	1485	96.0	96.0	0.89	355.66	6.9	1286.20	2.0	2.2	91/79	6.45	1725
YBX3-355S1-4	185	1488	96.0	96.0	0.89	328.99	6.9	1187.33	2.0	2.2	94/82	6.56	1955
YBX3-355S2-4	200	1488	96.0	96.0	0.9	351.71	6.9	1283.60	2.0	2.2	94/82	6.88	2070
YBX3-355M1-4	220	1488	96.0	96.0	0.9	386.88	6.9	1411.96	2.0	2.2	94/82	7.22	2231
YBX3-355M2-4	250	1488	96.0	96.0	0.9	439.64	6.9	1604.50	2.0	2.2	94/82	7.46	2392
YBX3-355L1-4	280	1488	96.0	96.0	0.9	492.39	6.9	1797.04	2.0	2.2	94/82	7.68	2599
YBX3-355L2-4	315	1488	96.0	96.0	0.9	553.94	6.9	2021.67	2.0	2.2	94/82	7.8	2990
YBX3-4001-4	355	1488	96.0	96.0	0.89	631.30	6.5	2278.39	1.0	2.2	105/93	8.89	3260
YBX3-4002-4	400	1488	96.0	96.0	0.89	711.32	6.5	2567.20	1.0	2.2	105/93	10.12	3400
YBX3-4003-4	450	1488	96.0	96.0	0.89	800.24	6.5	2888.10	1.0	2.2	105/93	11.64	3520
YBX3-4004-4	500	1488	96.0	96.0	0.89	889.15	6.5	3209.01	1.0	2.2	105/93	12.73	3620
YBX3-4005-4	560	1488	96.0	96.0	0.89	995.85	6.5	3594.09	1.0	2.2	105/93	13.2	3690
YBX3-4006-4	630	1488	96.0	96.0	0.89	1120.3	6.5	4043.35	1.0	2.2	105/93	15.5	3810

当电压U不为380V时，电流I=IN*380/U，其余参数不变 注：附表为50Hz的噪声参数值，对额定频率为60Hz的电动机，机座号200~355的2极电动机空载噪声数值为该表对应值加上6dB(A)，其它极数的电动机空载噪声数值为该表对应值加上5dB(A)；

If the rated voltage is not 380V, the rated current shall be $I_N = I(380V)^{1.8} * 380 / U_N$. The other parameters remain unchanged.

Note: The ones shown in this table are the noise values in case of 50Hz; the no-load noise in case of 60Hz under same specification shall be increased by 6dB(A) for 2P motors with frame size 200~355 and by 5dB(A) for other pole number motors.

型号	功率 kW	额定 转速 r/min	效率 %		功率 因数 COS φ	电流 (380V)A		转矩			噪声 dB(A) Lw/Lp	转动 惯量 kg·m ²	重量 kg 100% 负载
			100% 负载	75% 负载		额定电 流 I _N (A)	堵转 电流	额定转 矩 T _N (Nm)	堵转	最大			
									转矩	转矩			
同步转速 1000r/min													
YBX3-80M1-6	0.37	910	71.4	71.4	0.71	1.11	4.7	3.88	1.9	2.0	54/46	0.039	46
YBX3-80M2-6	0.55	910	74.2	74.2	0.72	1.56	4.7	5.77	1.9	2.1	54/46	0.059	51
YBX3-90S-6	0.75	910	78.9	78.9	0.73	1.98	5.8	7.87	2.1	2.1	57/49	0.113	69
YBX3-90L-6	1.1	910	81	81	0.73	2.83	5.9	11.54	2.1	2.1	57/49	0.167	71
YBX3-100L-6	1.5	940	82.5	82.5	0.74	3.73	6.0	15.24	2.1	2.1	61/53	0.36	89
YBX3-112M-6	2.2	940	84.3	84.3	0.74	5.36	6.0	22.35	2.1	2.1	65/57	0.42	115
YBX3-132S-6	3	960	85.6	85.6	0.74	7.20	6.2	29.84	2.0	2.1	69/62	0.68	122
YBX3-132M1-6	4	960	86.8	86.8	0.75	9.34	6.8	39.79	2.0	2.1	69/62	0.072	127
YBX3-132M2-6	5.5	960	88	88	0.78	12.17	7.1	54.71	2.0	2.1	69/62	0.81	130
YBX3-160M-6	7.5	970	89.1	89.1	0.79	16.19	6.7	73.84	2.1	2.1	70/62	1.21	185
YBX3-160L-6	11	970	90.3	90.3	0.79	23.43	6.9	108.30	2.1	2.1	70/62	1.32	222
YBX3-180L-6	15	970	91.2	91.2	0.81	30.85	7.2	147.68	2.0	2.1	70/62	1.62	280
YBX3-200L1-6	18.5	970	91.7	91.7	0.82	37.38	7.2	182.14	2.1	2.1	76/68	1.84	340
YBX3-200L2-6	22	970	92.2	92.2	0.82	44.21	7.3	216.60	2.1	2.1	76/68	2.43	360
YBX3-225M-6	30	980	92.9	92.9	0.84	58.41	7.1	292.35	2.0	2.1	76/68	2.68	390
YBX3-250M-6	37	980	93.3	93.3	0.85	70.89	7.1	360.56	2.1	2.1	78/70	3.46	580
YBX3-280S-6	45	980	93.7	93.7	0.85	85.85	7.2	438.52	2.1	2.0	80/72	3.97	700
YBX3-280M-6	55	980	94.1	94.1	0.85	104.48	7.2	535.97	2.1	2.0	80/72	4.57	730
YBX3-315S-6	75	985	94.6	94.6	0.85	141.72	6.7	727.16	2.0	2.0	85/73	4.83	1242
YBX3-315M-6	90	985	94.9	94.9	0.85	169.52	6.7	872.59	2.0	2.0	85/73	5.32	1311
YBX3-315L1-6	110	985	95.1	95.1	0.86	204.35	6.7	1066.50	2.0	2.0	85/73	5.95	1506
YBX3-315L2-6	132	985	95.4	95.4	0.86	244.45	6.7	1279.80	2.0	2.0	85/73	7.32	1610
YBX3-355S-6	160	985	95.6	95.6	0.87	292.29	6.7	1551.27	2.0	2.0	91/79	7.89	1897
YBX3-355M1-6	185	985	95.7	95.7	0.87	337.61	6.7	1793.65	2.0	2.0	91/79	8.17	2024
YBX3-355M2-6	200	985	95.8	95.8	0.87	364.60	6.7	1939.09	2.0	2.0	91/79	8.25	2265
YBX3-355L1-6	220	985	95.8	95.8	0.87	401.06	6.7	2132.99	2.0	2.0	91/79	8.36	2461
YBX3-355L2-6	250	985	95.8	95.8	0.88	450.57	6.7	2423.86	2.0	2.0	91/79	8.38	2587
YBX3-4001-6	280	985	95.8	95.8	0.87	510.44	6.7	2714.72	1.0	2.0	92/80	12.52	3260
YBX3-4002-6	315	985	95.8	95.8	0.87	574.24	6.7	3054.06	1.0	2.0	92/80	13.34	3400
YBX3-4003-6	355	985	95.8	95.8	0.87	647.16	6.7	3441.88	1.0	2.0	92/80	13.95	3520
YBX3-4004-6	400	985	95.8	95.8	0.87	729.20	6.7	3878.17	1.0	2.0	92/80	14.32	3620
YBX3-4005-6	450	985	95.8	95.8	0.87	820.34	6.7	4362.94	1.0	2.0	92/80	15.46	3690
YBX3-4006-6	500	985	95.8	95.8	0.87	911.49	6.5	4847.71	1.0	2.0	92/80	17.61	3750

当电压 U 不为 380V 时，电流 $I = I_N \cdot 380 / U$ ，其余参数不变

注：附表为 50Hz 的噪声参数值，对额定频率为 60Hz 的电动机，机座号 200~355 的 2 极电动机空载噪声数值为该表对应

值加上 6dB(A)，其它极数的电动机空载噪声数值为该表对应值加上 5dB(A)；If the rated voltage is not 380V, the rated current

shall be $I_N = I(380V) \cdot 380 / U_N$. The other parameters remain unchanged.

Note: The ones shown in this table are the noise values in case of 50Hz; the no-load noise in case of 60Hz under same specification shall be increased

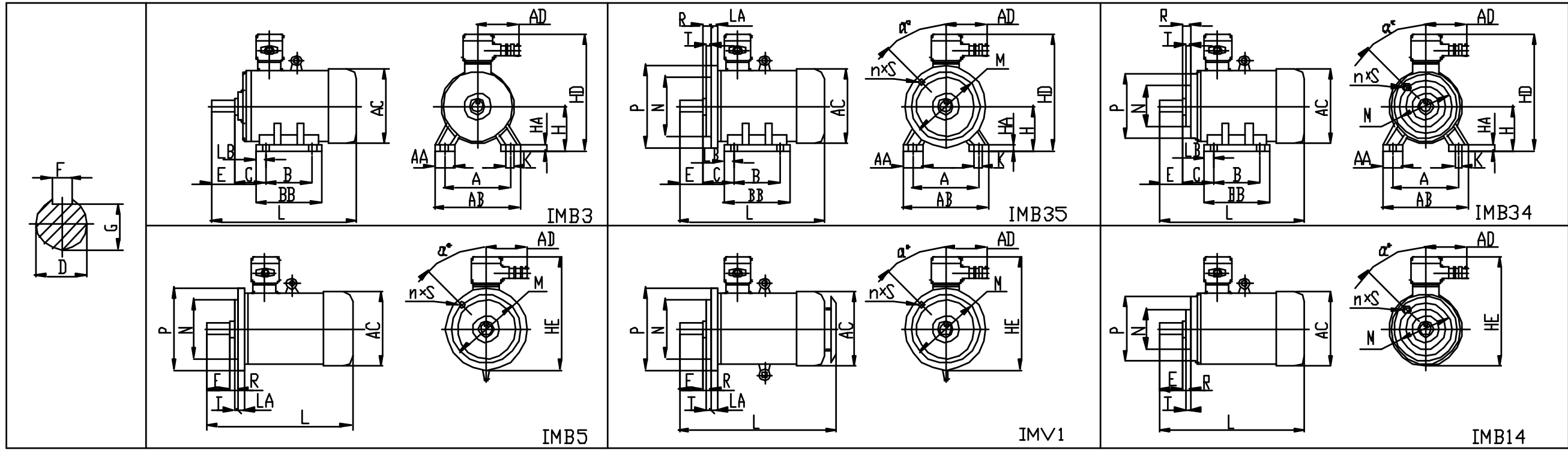
by 6dB(A) for 2P motors with frame size 200~355 and by 5dB(A) for other pole number motors.

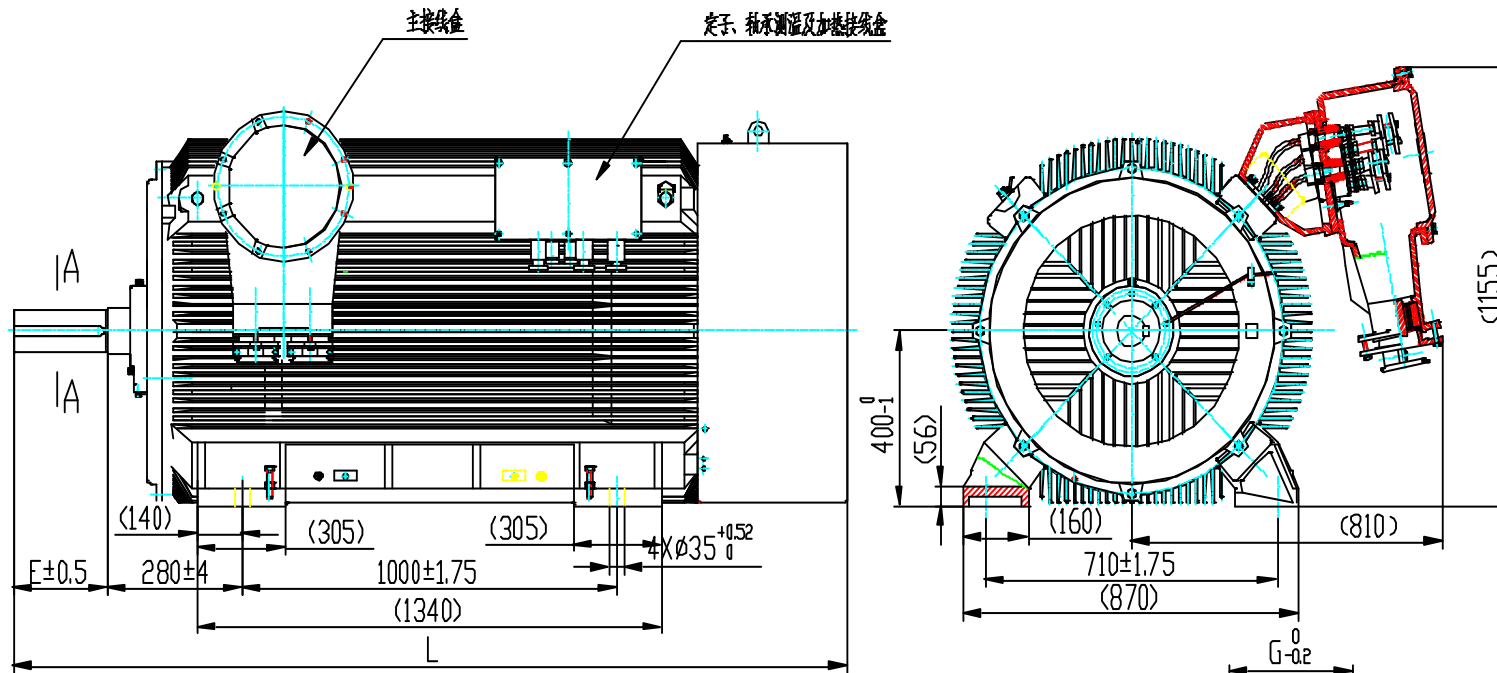
表 10 续

型号	功率 kW	额定 转速 r/min	效率 %		功率 因数 COS φ	电流 (380V)A		转矩			噪声 dB(A) Lw/Lp	转动 惯量 kg. m ²	重量 kg 100% 负载
			100% 负载	75% 负载		额定电 流 I _N (A)	堵转 电流	额定转 矩 T _N (Nm)	堵转 转矩	最大 转矩			
										额定 转矩			
同步转速 750r/min													
YBX3-80M1-8	0.18	710	51	51	0.61	0.88	3.3	2.42	1.8	1.9	52/44	0.16	43
YBX3-80M2-8	0.25	710	54	54	0.61	1.15	3.3	3.36	1.8	1.9	52/44	0.18	46
YBX3-90S-8	0.37	710	62	62	0.62	1.46	4	4.98	1.8	1.9	56/48	0.2	52
YBX3-90L-8	0.55	710	63	63	0.63	2.11	4	7.40	1.8	2.0	56/48	0.22	55
YBX3-100L1-8	0.75	710	70	70	0.67	2.43	4	10.09	1.8	2.0	59/51	0.24	72
YBX3-100L2-8	1.1	710	72	72	0.69	3.36	5	14.80	1.8	2.0	59/51	0.25	90
YBX3-112M-8	1.5	710	74	74	0.7	4.40	5	20.18	1.8	2.0	61/53	0.28	116
YBX3-132S-8	2.2	710	79	79	0.71	5.96	6	29.59	1.8	2.0	64/56	0.3	123
YBX3-132M-8	3	710	80	80	0.73	7.81	6	40.35	1.8	2.0	64/56	0.32	128
YBX3-160M1-8	4	720	81	81	0.73	10.28	6	53.06	1.9	2.0	68/60	0.46	162
YBX3-160M2-8	5.5	720	83	83	0.74	13.61	6	72.95	1.9	2.0	68/60	0.61	176
YBX3-160L-8	7.5	720	85.5	85.5	0.75	17.77	6	99.48	1.9	2.0	68/60	1.06	212
YBX3-180L-8	11	730	87.5	87.5	0.75	25.47	6.5	143.90	2	2.0	70/62	1.6	260
YBX3-200L-8	15	730	88	88	0.76	34.08	6.6	196.23	2	2.0	73/65	2.28	300
YBX3-225S-8	18.5	730	90	90	0.76	41.09	6.6	242.02	1.9	2.0	73/65	2.74	380
YBX3-225M-8	22	730	90.5	90.5	0.78	47.35	6.6	287.81	1.9	2.0	73/65	3.67	400
YBX3-250M-8	30	730	91	91	0.79	63.40	6.5	392.47	1.9	2.0	75/67	5.16	560
YBX3-280S-8	37	740	91.5	91.5	0.79	77.77	6.6	477.50	1.9	2.0	76/67	5.82	660
YBX3-280M-8	45	740	92	92	0.79	94.07	6.6	580.74	1.9	2.0	76/67	6.74	700
YBX3-315S-8	55	740	92.8	92.8	0.81	111.17	6.6	709.80	1.8	2.0	82/70	7.35	1058
YBX3-315M-8	75	740	93.5	93.5	0.81	150.46	6.2	967.91	1.8	2.0	82/70	8.79	1265
YBX3-315L1-8	90	740	93.8	93.8	0.82	177.78	6.4	1161.49	1.8	2.0	82/70	9.18	1288
YBX3-315L2-8	110	740	94	94	0.82	216.83	6.4	1419.59	1.8	2.0	82/70	10.19	1495
YBX3-355S-8	132	740	93.7	93.7	0.82	261.03	6.4	1703.51	1.8	2.0	89/77	11.24	1886
YBX3-355M-8	160	740	94.2	94.2	0.82	314.72	6.4	2064.86	1.8	2.0	89/77	12.48	2093
YBX3-355L1-8	185	740	94.2	94.2	0.82	363.89	6.4	2387.50	1.8	2.0	89/77	13.56	2415
YBX3-355L2-8	200	740	94.5	94.5	0.83	387.43	6.4	2581.08	1.8	2.0	89/77	13.84	2450
YBX3-4001-8	250	740	95	95	0.84	476.00	6.5	2839.19	1.2	2.0	91/79	16.68	3260
YBX3-4002-8	280	740	95	95	0.84	533.12	6.5	3226.35	1.2	2.0	91/79	17.35	3400
YBX3-4003-8	315	740	95	95	0.84	599.76	6.5	3613.51	1.2	2.0	91/79	18.9	3520
YBX3-4004-8	355	740	95	95	0.84	675.92	6.5	4065.20	1.2	2.0	91/79	20.34	3620
YBX3-4005-8	400	740	95.1	95.1	0.85	751.85	6.5	4581.42	1.2	2.0	91/79	22.67	3690
YBX3-4006-8	450	740	95.1	95.1	0.85	845.83	6.5	5807.43	1.2	2.0	91/79	23.88	3750

表 11 Table 11

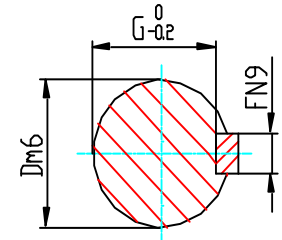
		mm																																									
机座号 IMB3 Frame No.	凸缘号 flange number		安 装 尺 寸 Installation dimension														外 形 尺 寸 Overall dimension																										
	IMB35 IMB5 IMV1	IMB1 4 IMB3 4	A	B	C	极 数 Pole number								H	K	凸 缘 尺 寸 Flange dimension								进线口管螺纹 Thread of inlet		AA	AB	AC	AD	BB	H A	HD	HE	LA	LB	L							
						2P		≥4P		2P		≥4P				2P		≥4P		IMB35、IMB5、IMV1																IMB14、IMB34				单口 Single	双口 Double	其它 Others	2P V1
						2P	≥4P	2P	≥4P	2P	≥4P	2P	≥4P			M	N	P	R	α°	n×S	T	M	N	P											R	α°	n×S	T				
63	FF115	FT75	100	80	40	11	23	4	8.5	63	7	115	95	140	0	45	4×Φ10	3	75	60	90	0	45	4×M5	2.5	M24X1.5		30	130	150	165	110	8	230	230	10	15	270	310	270	310		
71	FF130	FT85	112	90	45	14	30	5	11	71	7	130	110	160	0	45	4×Φ10	3	85	70	105	0	45	4×M6	2.5	M24X1.5		32	140	155	165	130	8	240	240	12	12	300	340	300	340		
80	FF165	FT100	125	100	50	19	40	6	15.5	80	10	165	130	200	0	45	4×Φ12	3.5	100	80	120	0	45	4×M6	3.0	M30×2	-	34	165	180	200	135	10	320	320	15	13	330	375	330	375		
90S	FF165	FT115	140	100	56	24	50	8	20.0	90	10	165	130	200	0	45	4×Φ12	3.5	115	95	140	0	45	4×M8	3.0	M30×2	-	36	180	205	200	160	14	340	340	15	13	402	447	402	447		
90L	FF165	FT115	140	125	56	24	50	8	20.0	90	10	165	130	200	0	45	4×Φ12	3.5	115	95	140	0	45	4×M8	3.0	M30×2	-	36	180	205	200	160	14	340	340	15	13	427	472	427	472		
100L	FF215	FT130	160	140	63	28	60	8	24.0	100	12	215	180	250	0	45	4×Φ14.5	4.0	130	110	160	0	45	4×M8	3.5	M30×2	-	40	200	230	200	180	14	365	400	18	15	440	485	440	485		
112M	FF215	FT130	190	140	70	28	60	8	24.0	112	12	215	180	250	0	45	4×Φ14.5	4.0	130	110	160	0	45	4×M8	3.5	M30×2	-	50	245	230	200	185	16	400	420	18	20	520	580	520	580		
132S	FF265	-	216	140	89	38	80	10	33.0	132	12	265	230	300	0	45	4×Φ14.5	4.0	-	-	-	-	-	-	-	M30×2	-	60	280	270	225	200	18	470	490	20	28	565	625	565	625		
132M	FF265	-	216	178	89	38	80	10	33.0	132	12	265	230	300	0	45	4×Φ14.5	4.0	-	-	-	-	-	-	-	M30×2	-	60	280	270	225	238	18	470	490	20	28	680	640	680	640		
160M	FF300	-	254	210	108	42	110	12	37.0	160	14.5	300	250	350	0	45	4×Φ18.5	5.0	-	-	-	-	-	-	-	M36×2	-	70	330	325	240	270	20	530	530	20	30	710	785	710	785		
160L	FF300	-	254	254	108	42	110	12	37.0	160	14.5	300	250	350	0	45	4×Φ18.5	5.0	-	-	-	-	-	-	-	M36×2	-	70	330	325	240	314	20	530	530	20	30	750	820	750	820		
180M	FF300	-	279	241	121	48	110	14	42.5	180	14.5	300	250	350	0	45	4×Φ18.5	5.0	-	-	-	-	-	-	-	M36×2	-	70	355	360	240	325	22	565	565	20	35	770	840	770	840		
180L	FF300	-	279	279	121	48	110	14	42.5	180	14.5	300	250	350	0	45	4×Φ18.5	5.0	-	-	-	-	-	-	-	M36×2	-	70	355	360	240	365	22	565	565	20	35	790	860	790	860		
200L	FF350	-	318	305	133	55	110	16	49.0	200	18.5	350	300	400	0	45	4×Φ18.5	5.0	-	-	-	-	-	-	-	M48×2	-	70	390	400	290	370	25	590	590	22	35	850	925	850	925		
225S	FF400	-	356	286	149	55	60	110	140	16	18	49.0	53	225	18.5	400	350	450	0	22.5	8×Φ18.5	5.0	-	-	-	-	-	M48×2	-	75	435	450	290	370	28	650	670	22	41	-	-	860	930
225M	FF400	-	356	311	149	55	60	110	140	16	18	49.0	53	225	18.5	400	350	450	0	22.5	8×Φ18.5	5.0	-	-	-	-	-	M48×2	M48×2	75	435	450	290	395	28	650	670	22	41	820	900	860	940
250M	FF500	-	406	349	168	60	65	140	140	18	18	53.0	58	250	24	500	450	550	0	22.5	8×Φ18.5	5.0	-	-	-	-	-	M64×2	M48×2	80	490	500	350	425	30	770	770	25	38	990	1085	990	1085
280S	FF500	-	457	368	190	65	75	140	140	18	20	58.0	67.5	280	24	500	450	550	0	22.5	8×Φ18.5	5.0	-	-	-	-	-	M64×2	M48×2	85	545	560	350	450	35	830	830	25	40	1010	1120	1050	1160
280M	FF500	-	457	419	190	65	75	140	140	18	20	58.0	67.5	280	24	500	450	550	0	22.5	8×Φ18.5	5.0	-	-	-	-	-	M64×2	M48×2	85	545	560	350	500	35	830	830	25	40	1060	1170	1110	1220
315S	FF600	-	508	406	216	65	80	140	170	18	22	58.0	71	315	28	600	550	660	0	22.5	8×Φ24	6.0	-	-	-	-	-	M85×3	M64×2	120	628	620	478	590	40	945	945	28	70	1230	1330	1300	1400
315M	FF600	-	508	457	216	65	80	140	170	18	22	58.0	71	315	28	600	550	660	0	22.5	8×Φ24	6.0	-	-	-	-	-	M85×3	M64×2	120	628	620	478	590	40	945	945	28	70	1230	1330	1300	1400
315L	FF600	-	508	508	216	65	80	140	170	18	22	58.0	71	315	28	600	550	660	0	22.5	8×Φ24	6.0	-	-	-	-	-	M85×3	M64×2	120	628	620	478	640	40	945	945	28	70	1430	1530	1500	1600
355S	FF740	-	610	500	254	75	95	140	170	20	25	67.5	86	355	28	740	680	800	0	22.5	8×Φ24	6.0	-	-	-	-	-	M85×3	M72×2	116	726	700	478	670	45	1035	1035	30	94	1370	1470	1430	1530
355M	FF740	-	610	560	254	75	95	140	170	20	25	67.5	86	355	28	740	680	800	0	22.5	8×Φ24	6.0	-	-	-	-	-	M85×3	M72×2	116	726	700	478	730	45	1035	1035	30	94	1450	1550	1510	1610
355L	FF740	-	610	630	254	75	95	140	170	20	25	67.5	86	355	28	740	680	800	0	22.5	8×Φ24	6.0	-	-	-	-	-	M85×3	M72×2	116	726	700	478	800	45	1035	1035	30	94	1590	1690	1620	1720





型号	D	E	F	G	L(铁壳)	L(绝缘)
YBX3-400-2	∅85	170	22	76	2043	2358
YBX3-400-4,6,8	∅110	210	28	100	2159	2494

注: YBX3-400电机默认带定子、转子测温, 带加温



0AP 138 0147a

主接线盒 Main junction box

定子, 轴承测温及加热接线盒 Stator/bearing temperature measuring and heating junction box

型号 Model

普通噪声 Common noise

低噪声 Low noise

注: YBX3-400 电机默认带定子轴承测温, 带加热

Note: YBX3-400 motor is provided with default configuration of stator/bearing temperature measurement and heating.



南阳防爆集团股份有限公司

地址: 河南省南阳市仲景北路22号

邮编: 473008

传真: (0377) 3258318

电话: (0377) 3258316 3258317

E-mail: service@cn-nf.com

Nanyang Explosion Protection Group Co., Ltd.

Add: No. 22, North Zhongjing Road, Nanyang City, Henan

Postcode: 473008

Fax: (0377) 63258318

Tel: (0377) 63258316 63258317

E-mail: service@cn-nf.com